



Optics
Shinland

Each Ray is brighter in Shinland

SL-050C

Details

Material:	URC2500
Cover Material:	PC
Process:	Vaccum Aluminum Plating PC
MAX Diameter:	50.0mm
Height:	35.1mm
Matched Holder:	SL-HD-A
Matched Cover:	SL-050-CLEAR-LENS/SL-050-MIXING-LENS-A
ROSH Compliant:	YES
Status:	Ready

Optical Properties

Code	Typ. Angle	Typ. efficiency
SL-05020C	20°	90%
SL-05030C	30°	90%

Photo



Matched LED Source

CLU720

CXM-14

CHM-14

CXA18

Vero13

V13 Gen6

1204/1205

G21

LC020C

LC040C

EDC-47C

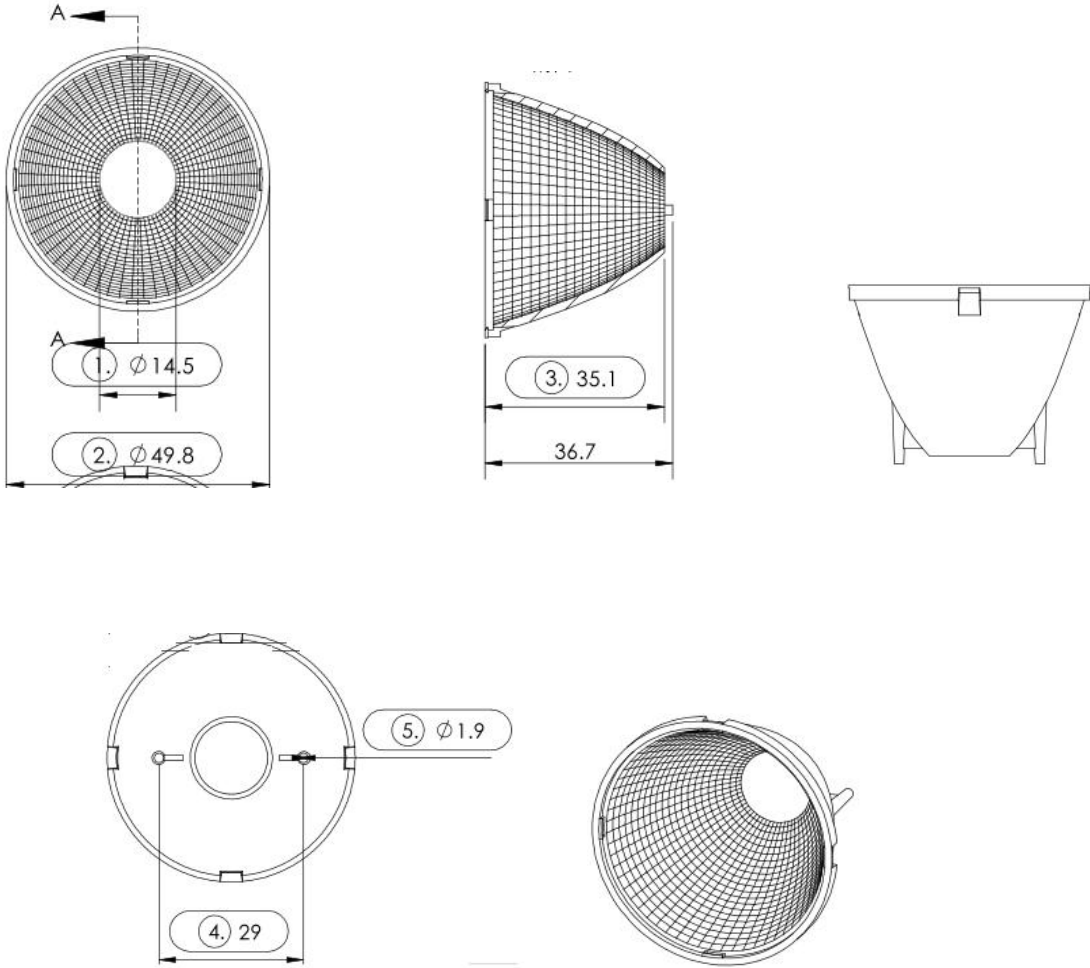
EDC-57C-20

NVCxL024Z

NFCxL060B

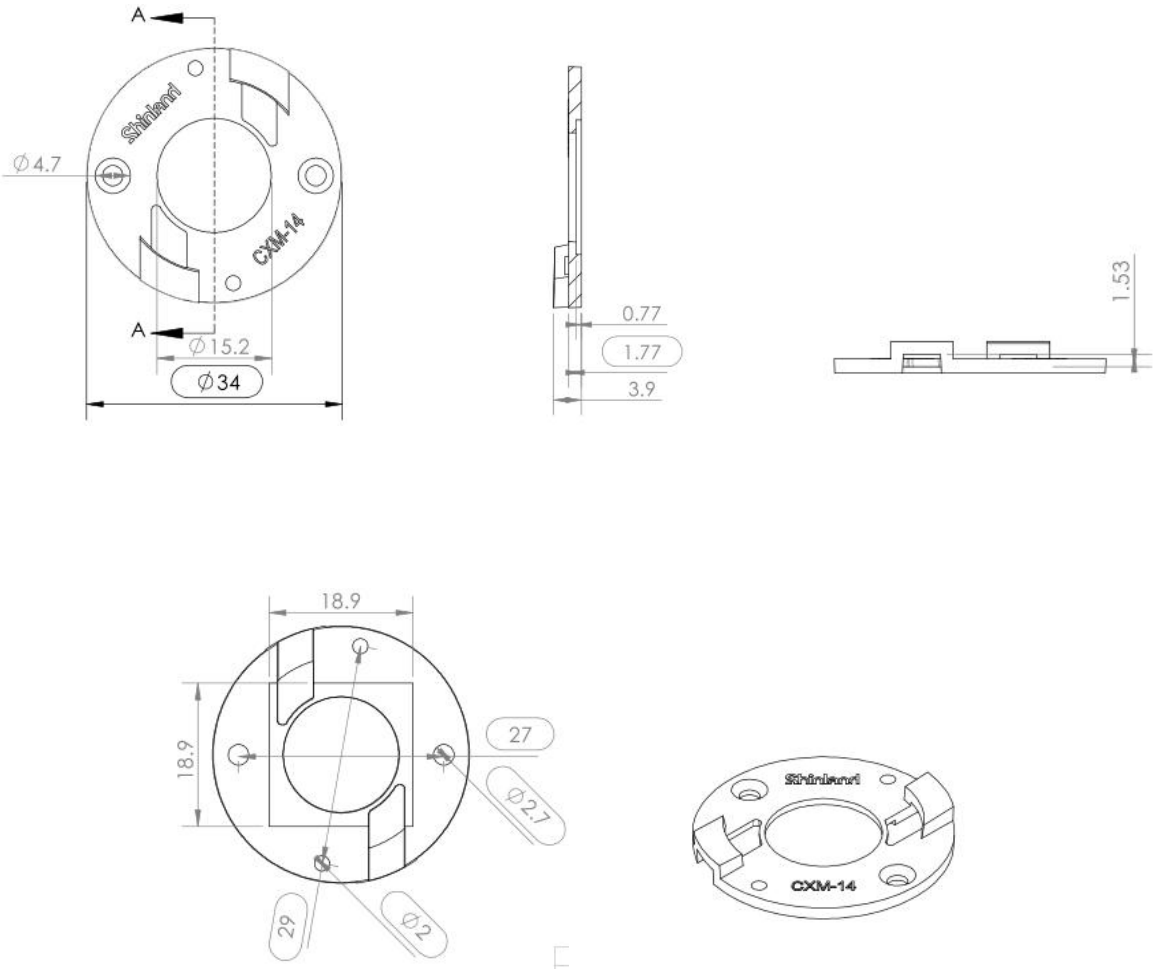
Dimensional Figure SL-050C

Measure Unit: mm



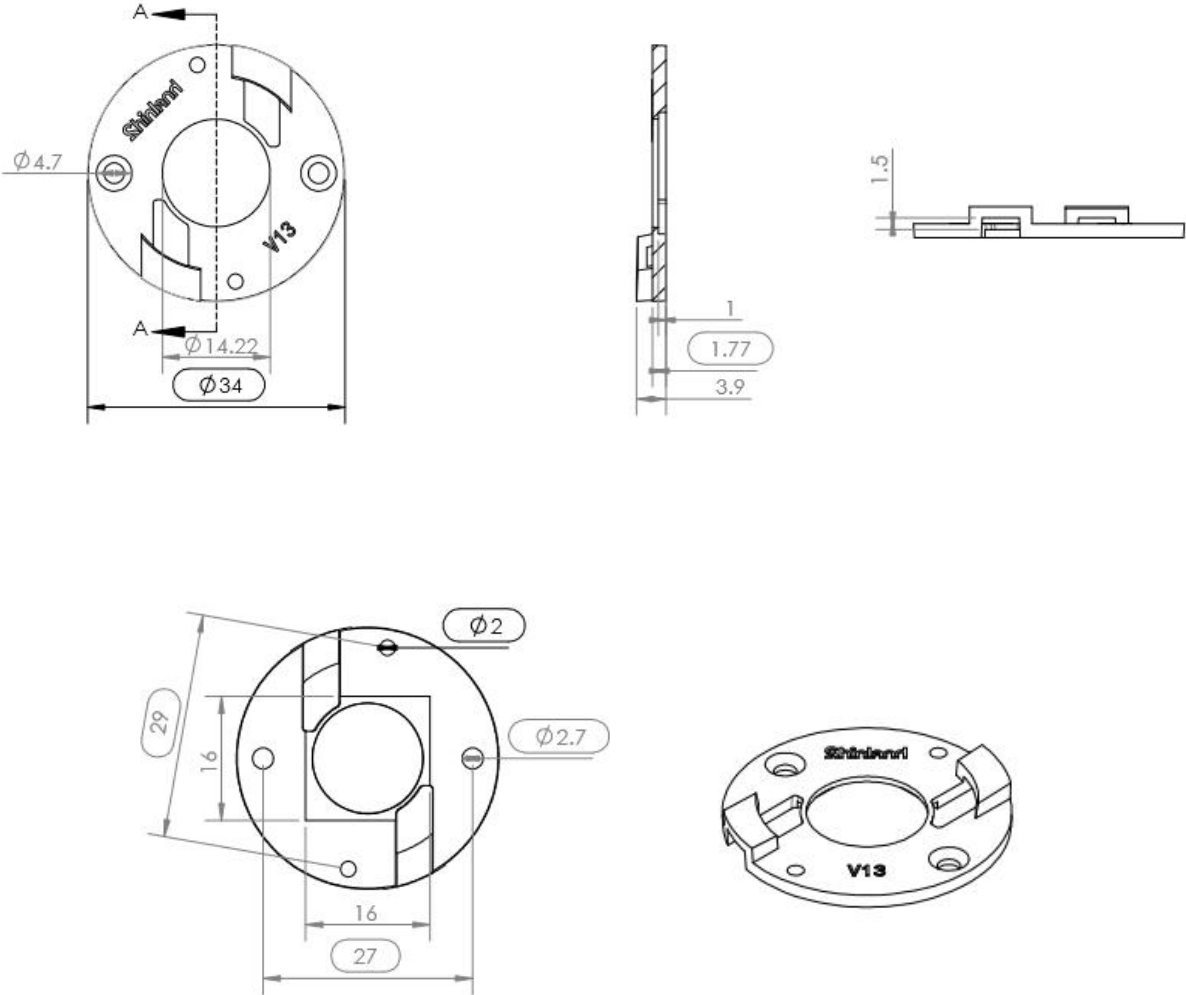
Dimensional Figure SL-CXM-14-HD-A

Measure Unit: mm



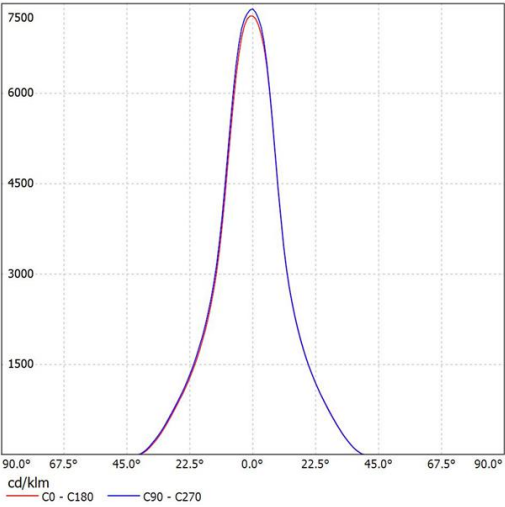
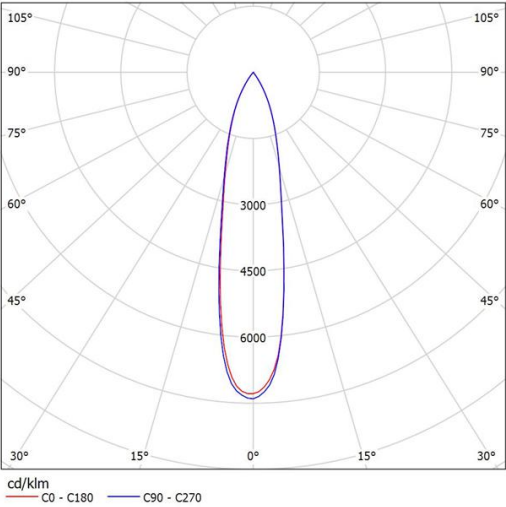
Dimensional Figure SL-V13-HD-A

Measure Unit: mm

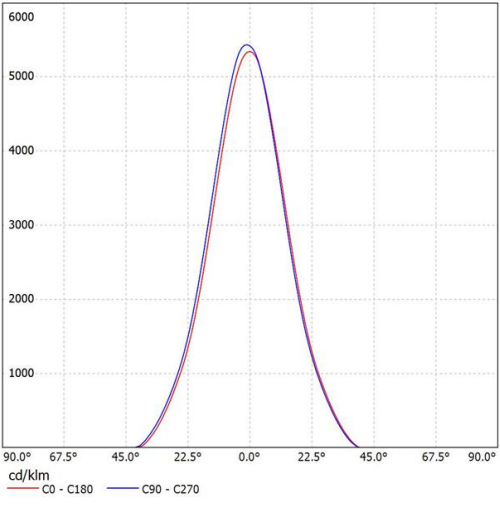
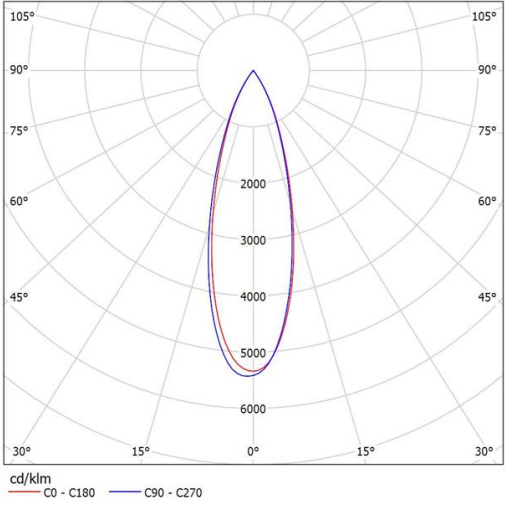


Distribution Curve Flux

SL-050C&SL-CXM-14-HD-A



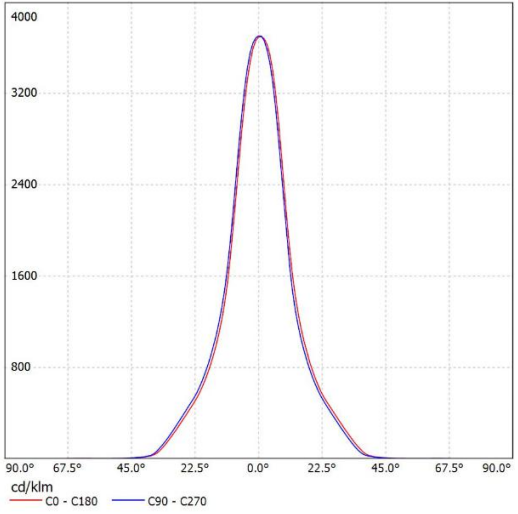
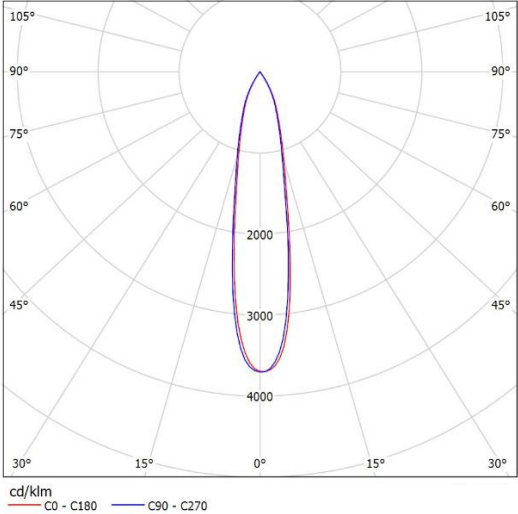
SL-05020C
K:4.06cd/lm,LED:CXM-14



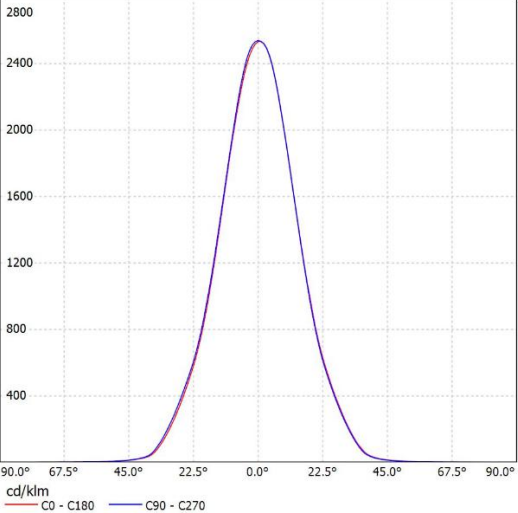
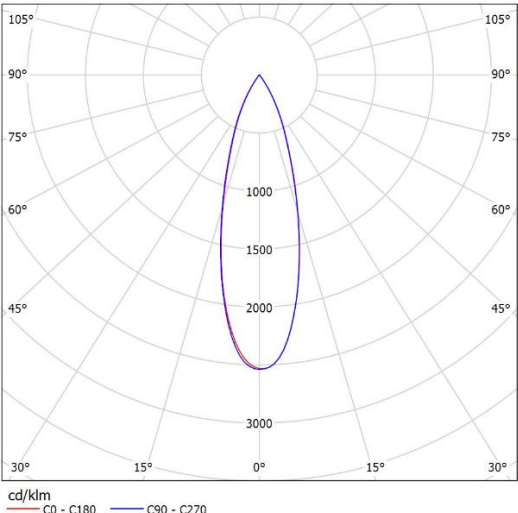
SL-05030C
K:2.99cd/lm,LED:CXM-14

Distribution Curve Flux

SL-050C&SL-V13-HD-A



SL-05020C
 K:4.37cd/lm,LED:V13 Gen6



SL-05030C
 K:2.95cd/lm,LED:V13 Gen6

Package Description

SL-050C

Part NO.	Without pc cover		With pc cover		Box Size(cm)
	Number per Box (pcs)	Box Weigh(kg)	Number per Box (pcs)	Box Weigh(kg)	
SL-05020C	500	6.13	500	7.23	60X 32 X 40
SL-05030C	500	6.25	500	7.65	60 X 32 X 40

Notes

- It is not allowed to scrub the reflective surface. If there is dust on the surface, please clean by soft cotton with little water.
 - It is forbidden to clean with industrial solvent such as ethanol.
 - Storage temperature: 0°C-40°C, and humidity:30%-95%
 - Keep reflectors in package to void the dust.
 - Prohibit the reflector touch with acid or alkaline solvent
-

About Shinland

Shenzhen Shinland Co. Ltd,one of the longest and most professional company in lighting optical field,have 20 years experience.Different from other factory which only have simple process, all aspects included R&D,making mold,injection molding ,vacuum coating and market support are our company own vertically integrated production .

Insisting on 'Quality First, Service First' and pragmatic, enterprising spirit,building the market by quality, casting our brand by credibility and integrity ,Shinland now become the leading supplier of lighting optical solution in China.