



Optics  
**Shinland**

Each Ray is brighter in Shinland

# SL-069B

## Details

---

Material:	URC2500
Cover Material:	PC
Process:	Vaccum Aluminum Plating PC
MAX Diameter:	69.0mm
Height:	45.5mm
Matched Holder:	SL-HD-A/SL-HD-B
Matched Cover:	SL-069-CLEAR-LENS/SL-069-MIXING-LENS
ROSH Compliant:	YES
Status:	Ready

## Optical Properties

---

Code	Typ. Angle	Typ. efficiency
SL-06918B	18°	91%
SL-06928B	28°	91%
SL-06942B	42°	91%

---

## Matched LED Source

CXM-18

Vero18  
V15  
V18 Gen6

1208

Soleriq S19

XTM-19

LC026B  
LC033B

EDC-57C-30

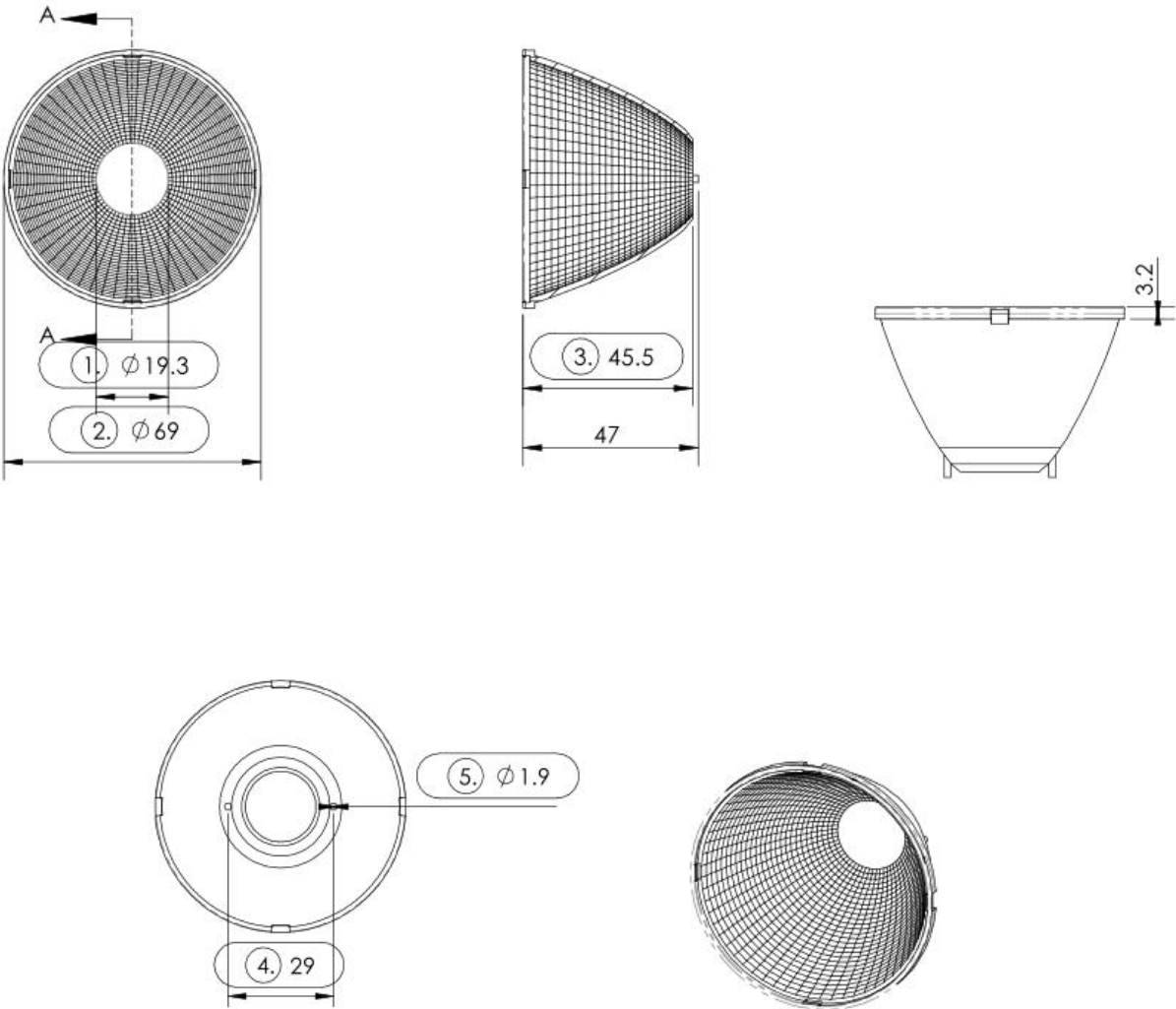
## Photo



# Dimensional Figure

## SL-069B

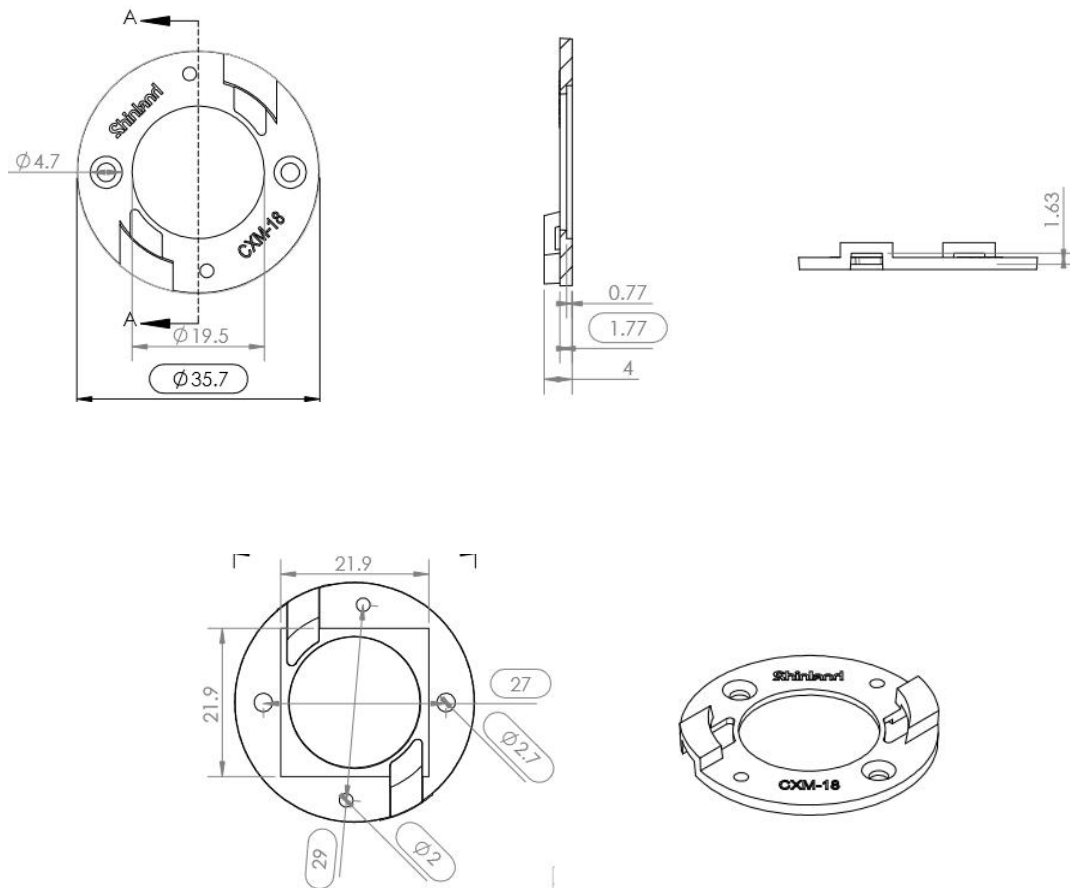
Measure Unit: mm



# Dimensional Figure

## SL-CXM-18-HD-A

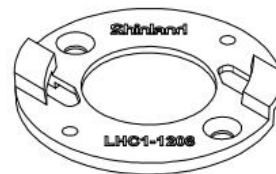
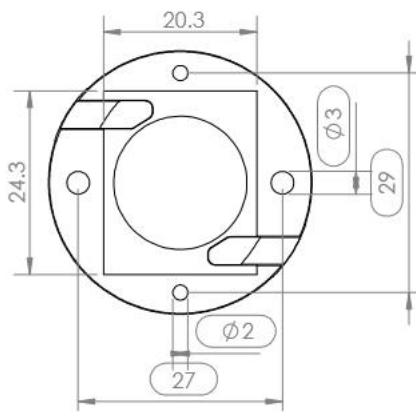
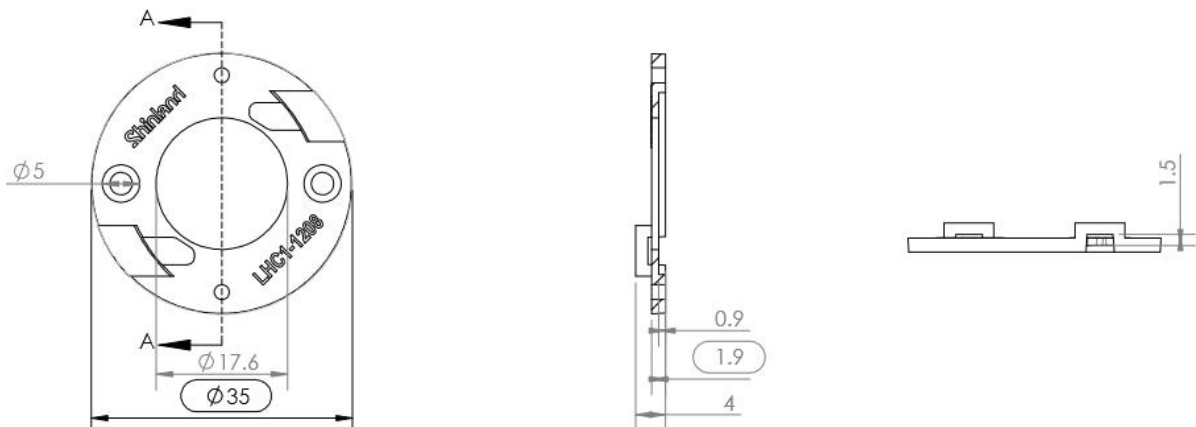
Measure Unit: mm



# Dimensional Figure

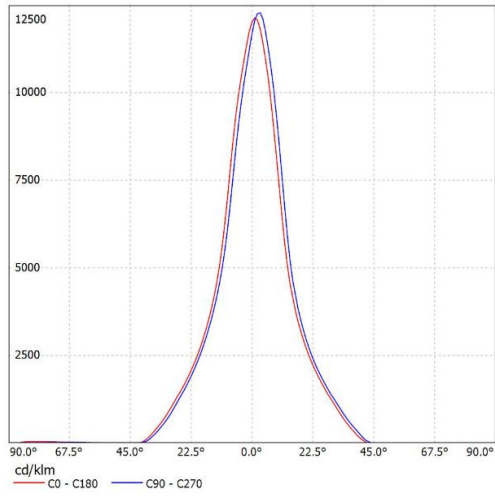
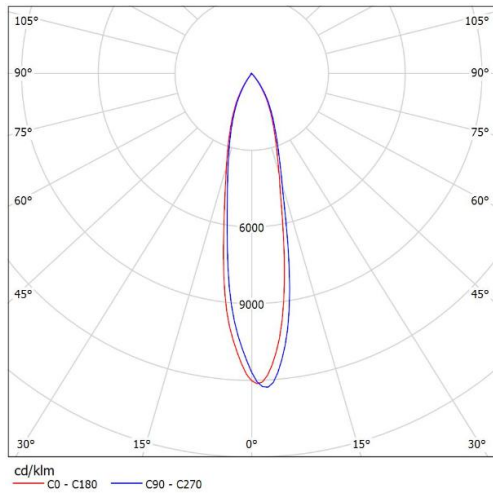
## SL-1208-HD-A

Measure Unit: mm

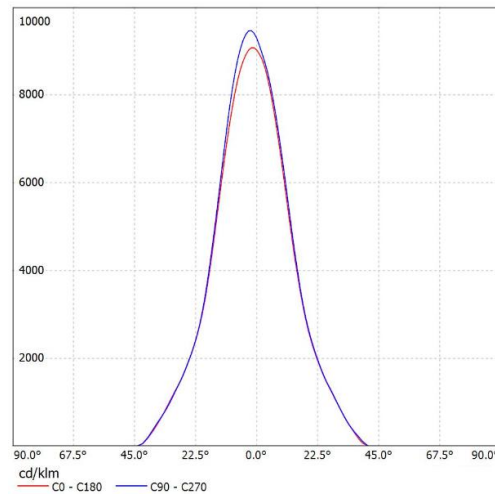
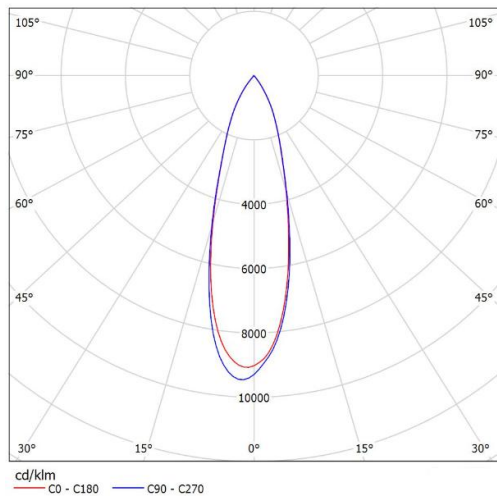


# Distribution Curve Flux

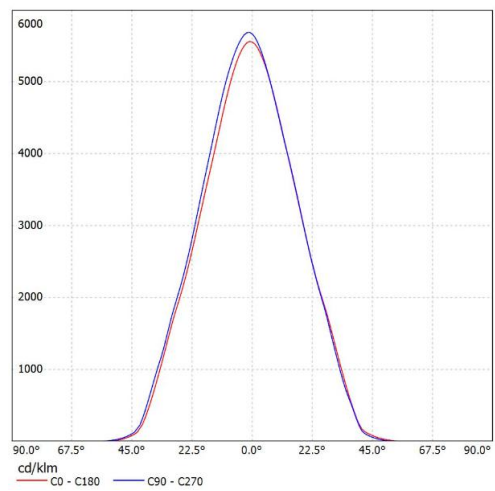
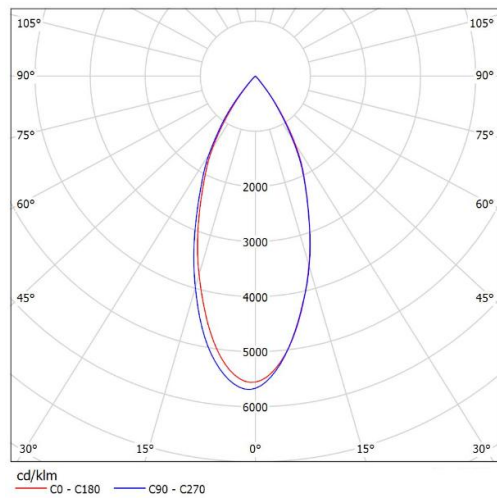
## SL-069B&SL-CXM-18-HD-A



**SL-06918B**  
K:3.91cd/lm,LED:CXM-18



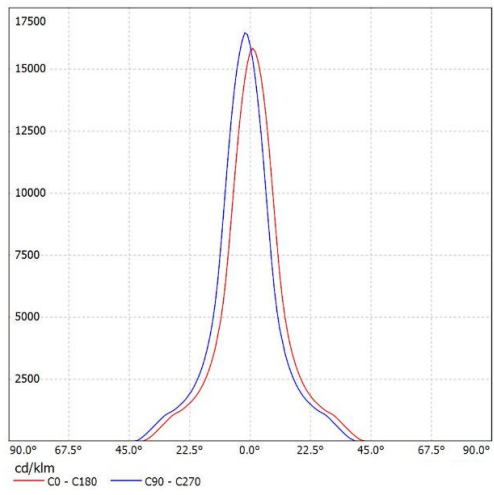
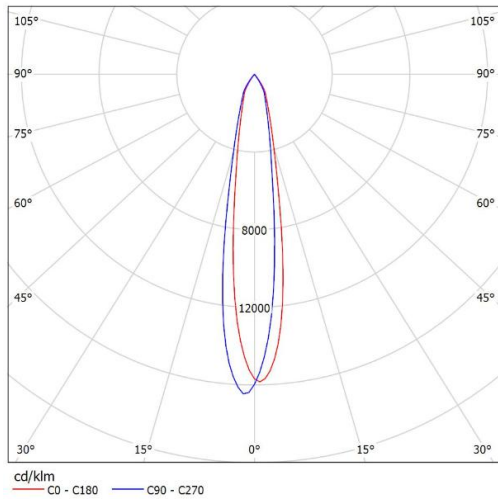
**SL-06928B**  
K:2.97cd/lm,LED:CXM-18



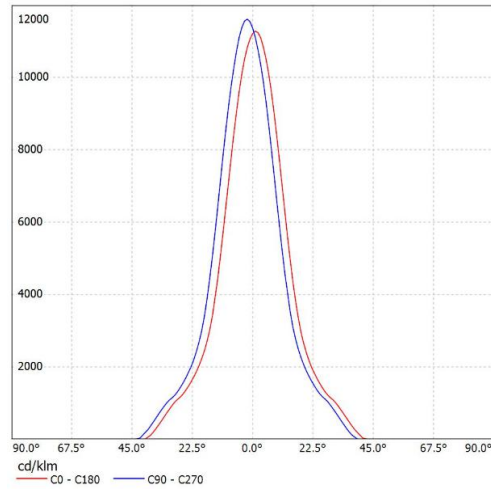
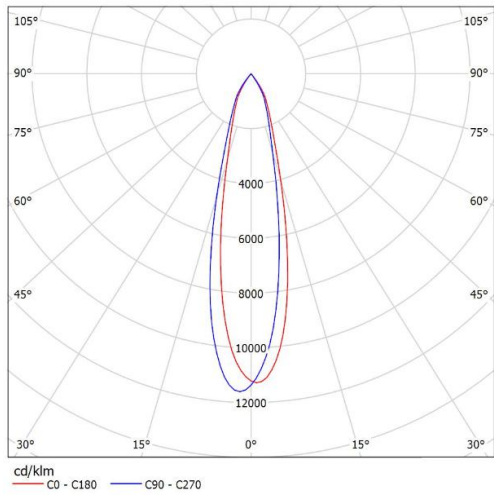
**SL-06942B**  
K:1.77cd/lm,LED:CXM-18

# Distribution Curve Flux

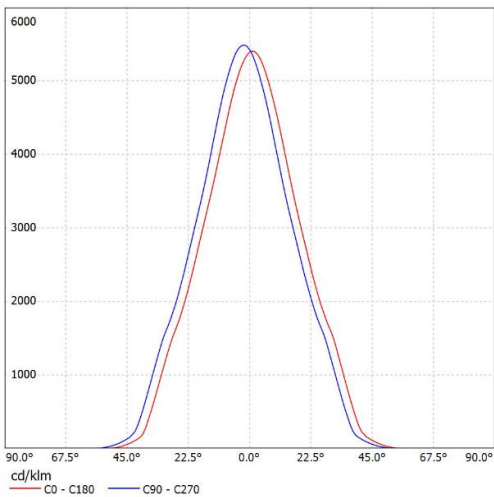
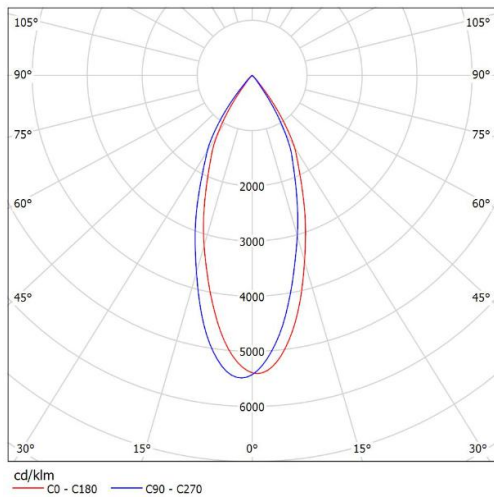
## SL-069B&SL-1208-HD-A



**SL-06918B**  
K:5.46cd/lm,LED:1208



**SL-06928B**  
K:3.88cd/lm,LED:1208



**SL-06942B**  
K:1.87cd/lm,LED:1208

## Package Description

SL-069B

Part NO.	Without pc cover		With pc cover		Box Size(cm)
	Number per Box (pcs)	Box Weigh(kg)	Number per Box (pcs)	Box Weigh(kg)	
SL-06918B	256	6.43	352	6.53	64 X 34 X 38
SL-06928B	256	6.60	352	6.50	64 X 34 X 38
SL-06942B	256	6.65	352	6.60	64 X 34 X 38



## Notes

- It is not allowed to scrub the reflective surface. If there is dust on the surface, please clean by soft cotton with little water.
  - It is forbidden to clean with industrial solvent such as ethanol.
  - Storage temperature: 0°C-40°C, and humidity:30%-95%
  - Keep reflectors in package to void the dust.
  - Prohibit the reflector touch with acid or alkaline solvent
- 

## About Shinland

Shenzhen Shinland Co. Ltd,one of the longest and most professional company in lighting optical field,have 20 years experience.Different from other factory which only have simple process, all aspects included R&D,making mold,injection molding ,vacuum coating and market support are our company own vertically integrated production .

Insisting on 'Quality First, Service First' and pragmatic, enterprising spirit,building the market by quality, casting our brand by credibility and integrity ,Shinland now become the leading supplier of lighting optical solution in China.