



Optics  
**Shinland**

Each Ray is brighter in Shinland

# SL-075A

## Details

---

Material:	URC2500
Cover Material:	PC
Process:	Vaccum Aluminum Plating PC
MAX Diameter:	75.0mm
Height:	54.0mm
Matched Holder:	SL-HD-A
Matched Cover:	SL-075-CLEAR-LENS/SL-075-MIXING-LENS
ROSH Compliant:	YES
Status:	Ready

## Matched LED Source

CLL03x  
MEGA  
E13  
G17  
C4

## Optical Properties

---

Code	Typ. FWHM	Typ. Eff
SL-07515A	15°	91%
SL-07524A	24°	91%
SL-07538A	38°	91%
SL-07555A	55	91%

---

NVExJ048Z  
NFCxJ108B  
NFDxJ130B

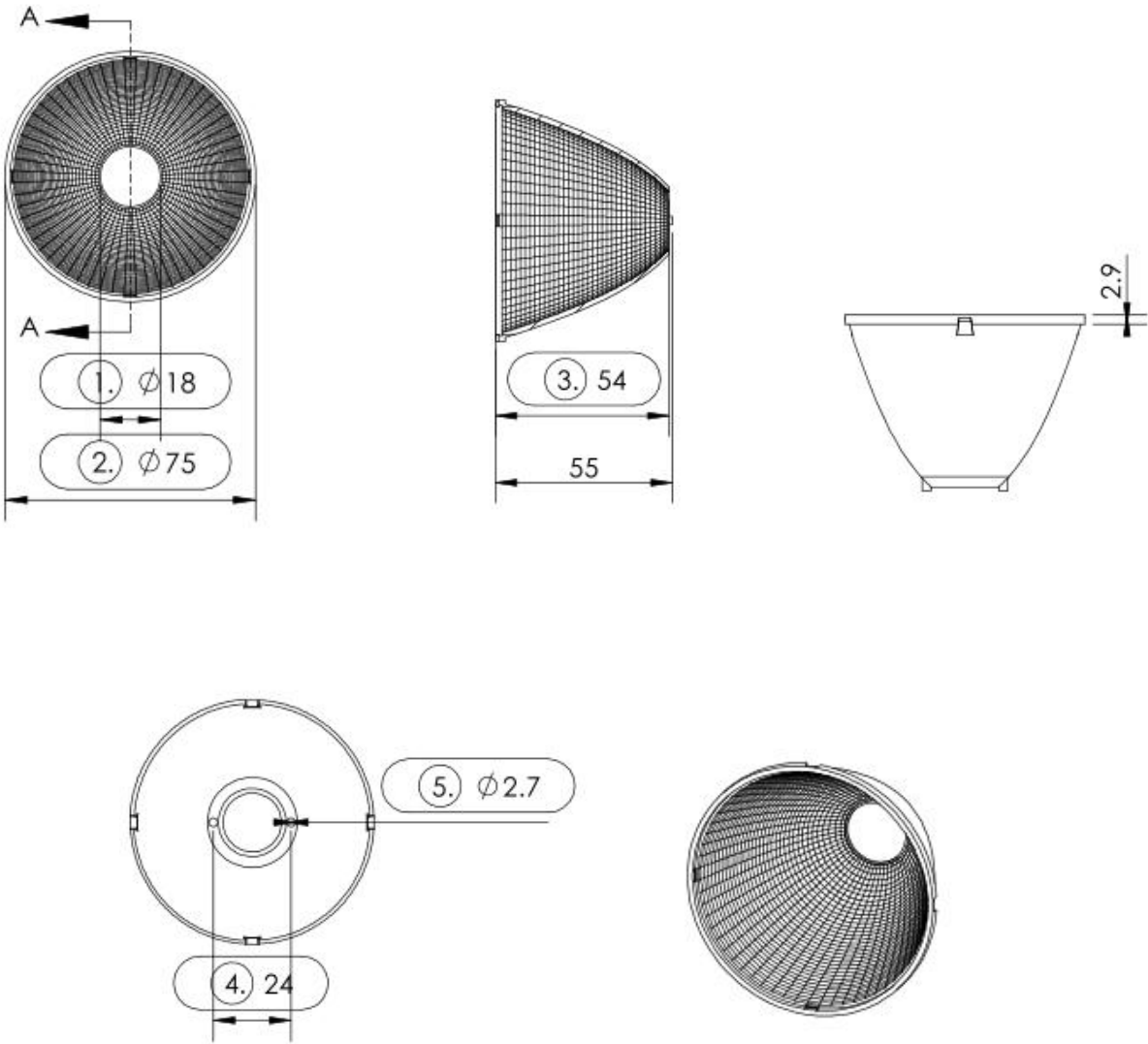
## Photo



# Dimensional Figure

## SL-075A

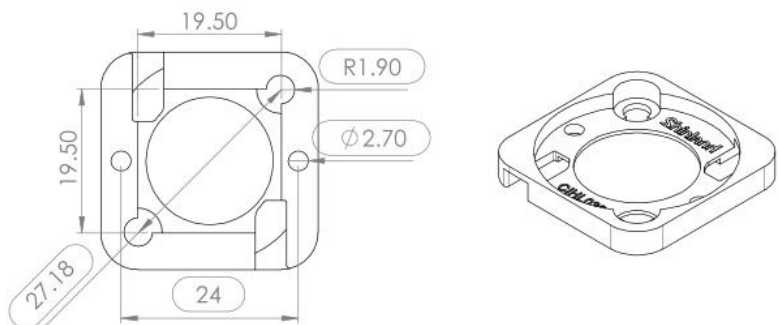
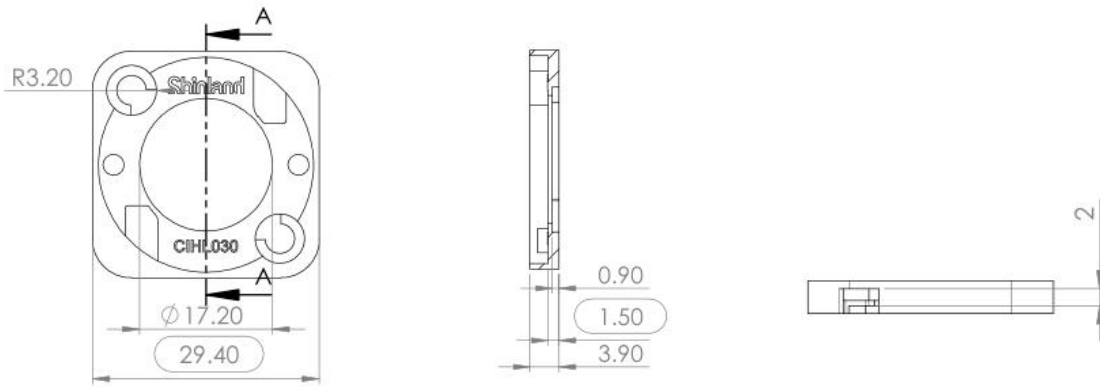
Measure Unit: mm



# Dimensional Figure

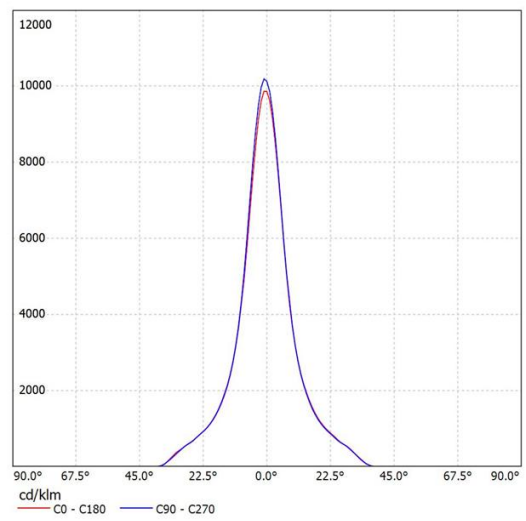
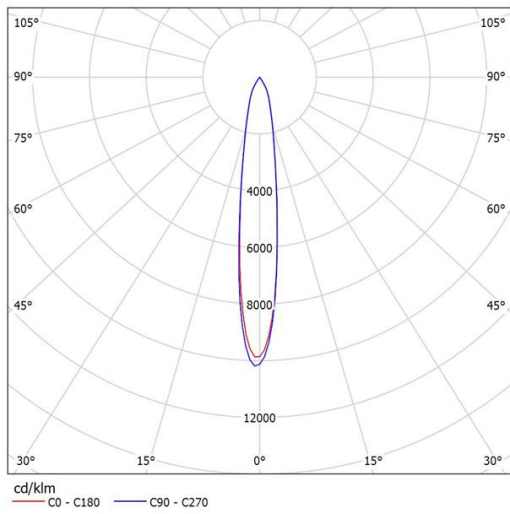
## SL-CLL030-HD-A

Measure Unit: mm

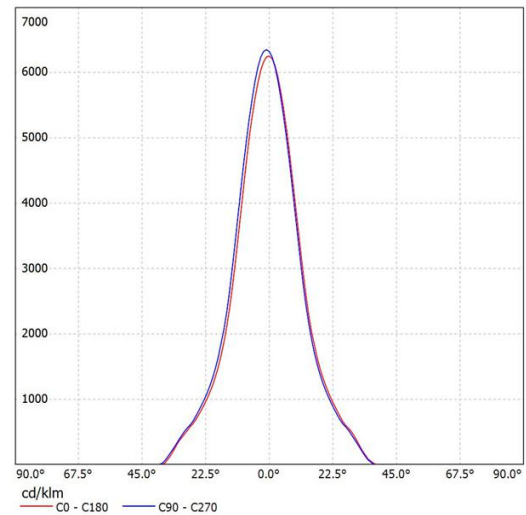
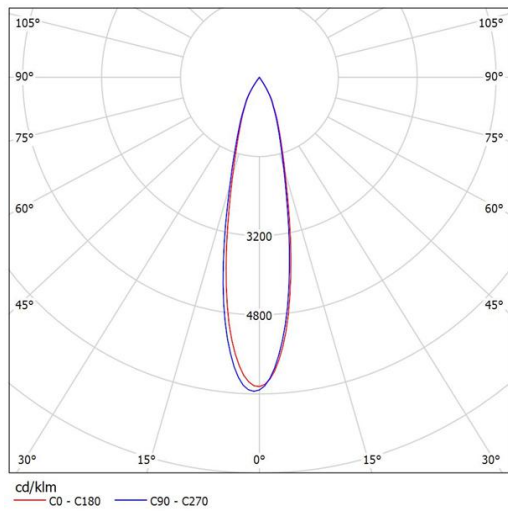


# Distribution Curve Flux

## SL-075A&SL-CLL030-HD-A



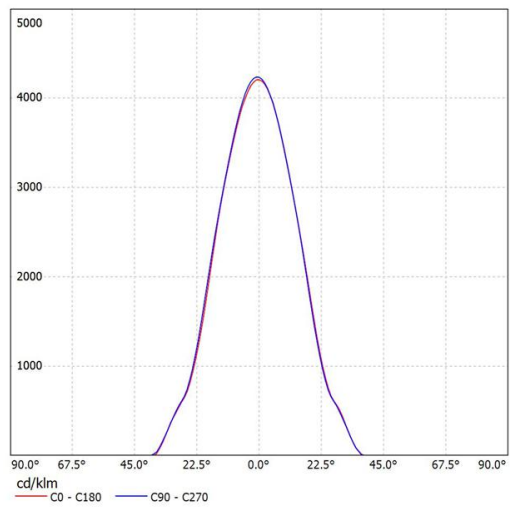
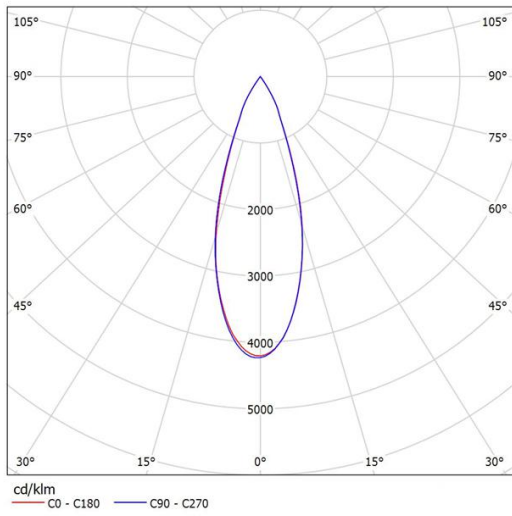
SL-07515A  
K:6.76cd/lm,LED:CLL03X



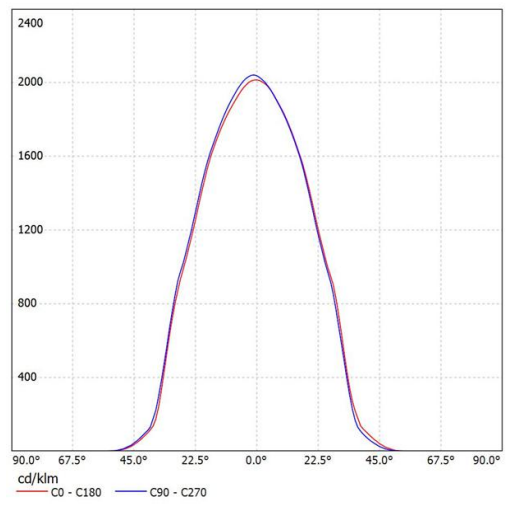
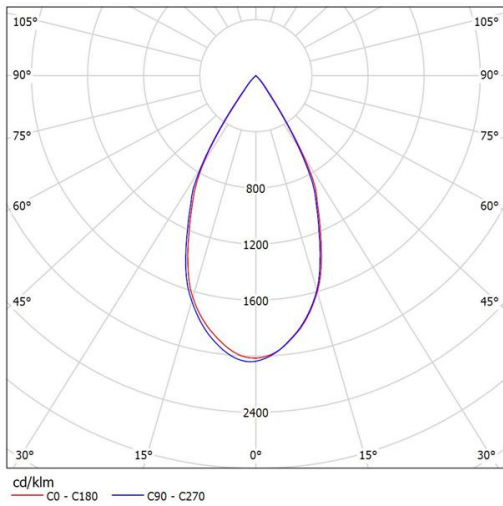
SL-07524A  
K:4.18cd/lm,LED:CLL03X

# Distribution Curve Flux

## SL-075A&SL-CLL030-HD-A



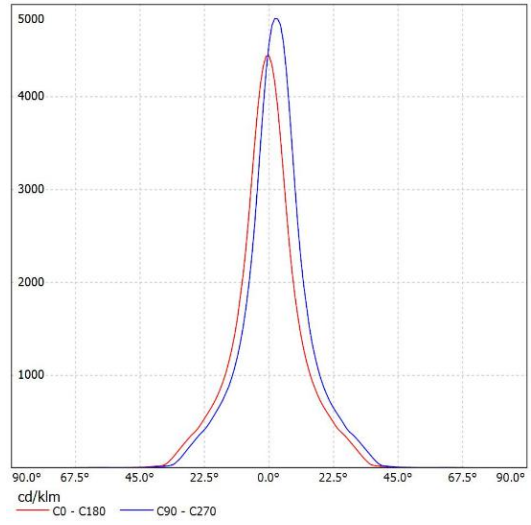
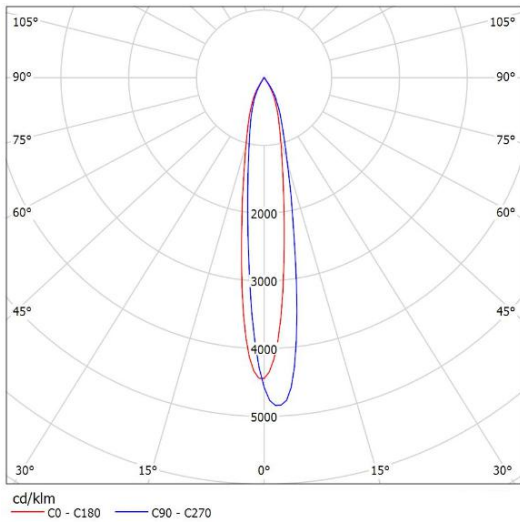
**SL-07538A**  
K:2.79cd/lm,LED:CLL03X



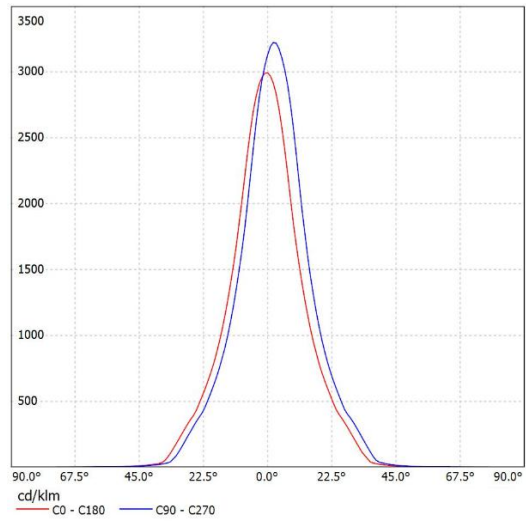
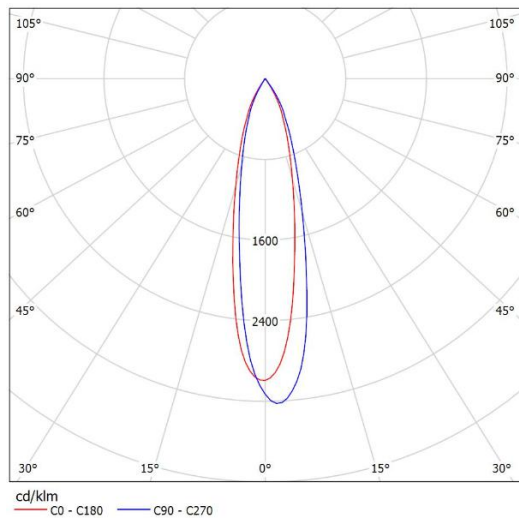
**SL-07555A**  
K:1.48cd/lm,LED:CLL03X

# Distribution Curve Flux

## SL-075A&SL-CLL030-HD-A



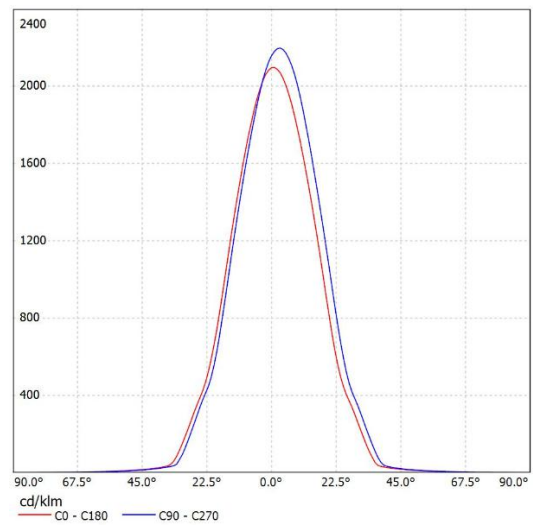
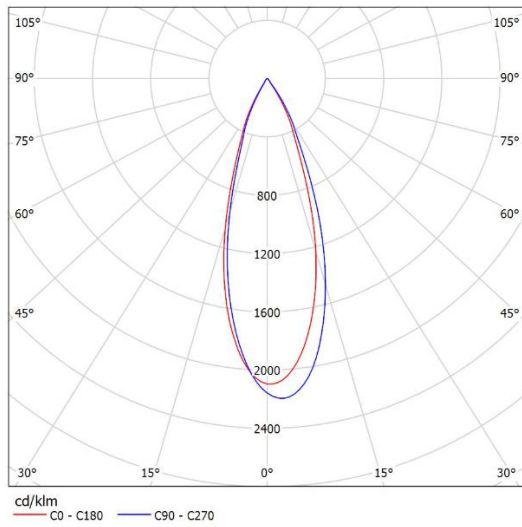
**SL-07515A**  
K:5.82cd/lm,LED:E13



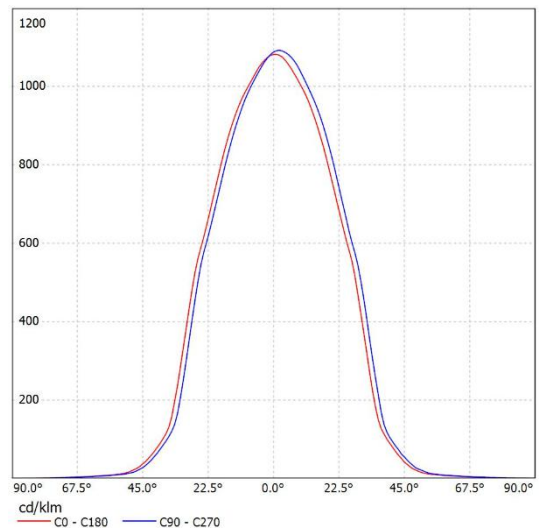
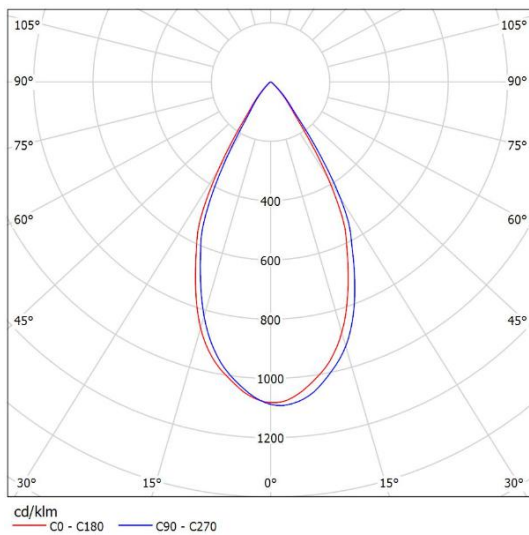
**SL-07524A**  
K:3.91cd/lm,LED:E13

# Distribution Curve Flux

## SL-075A&SL-CLL030-HD-A



SL-07538A  
K:2.72cd/lm,LED:E13



SL-07555A  
K:1.38cd/lm,LED:E13



## Package Description

SL-075A

Part NO.	Without pc cover		With pc cover		Box Size(cm)
	Number per Box (pcs)	Box Weigh(kg)	Number per Box (pcs)	Box Weigh(kg)	
SL-07515A	252	6.10	224	7.48	60 X 37 X45
SL-07524A	252	6.90	224	7.68	60 X 37 X45
SL-07538A	252	6.85	224	7.73	60 X 37 X45
SL-07555A	252	7.60	224	8.45	60 X 37 X45

## Notes

- It is not allowed to scrub the reflective surface. If there is dust on the surface, please clean by soft cotton with little water.
  - It is forbidden to clean with industrial solvent such as ethanol.
  - Storage temperature: 0°C-40°C, and humidity:30%-95%
  - Keep reflectors in package to void the dust.
  - Prohibit the reflector touch with acid or alkaline solvent
- 

## About Shinland

Shenzhen Shinland Co. Ltd,one of the longest and most professional company in lighting optical field,have 20 years experience.Different from other factory which only have simple process, all aspects included R&D,making mold,injection molding ,vacuum coating and market support are our company own vertically integrated production .

Insisting on 'Quality First, Service First' and pragmatic, enterprising spirit,building the market by quality, casting our brand by credibility and integrity ,Shinland now become the leading supplier of lighting optical solution in China.