



Optics
Shinland

Each Ray is brighter in Shinland

SL-095A

Details

Material:	URC2500
Cover Material:	PC
Process:	Vaccum Aluminum Plating PC
MAX Diameter:	95.0mm
Height:	64.0mm
Matched Holder:	SL-HD-A
Matched Cover:	SL-095-CLEAR-LENS/SL-095-MIXING-LENS
ROSH Compliant:	YES
Status:	Ready

Matched LED Source

CLL03x
MEGA
E13
G17
C4

Optical Properties

Code	Typ. FWHM	Typ. Eff
SL-09512A	12°	91%
SL-09524A	24°	91%
SL-09538A	38°	91%

NVExJ048Z
NFCxJ108B
NFDxJ130B

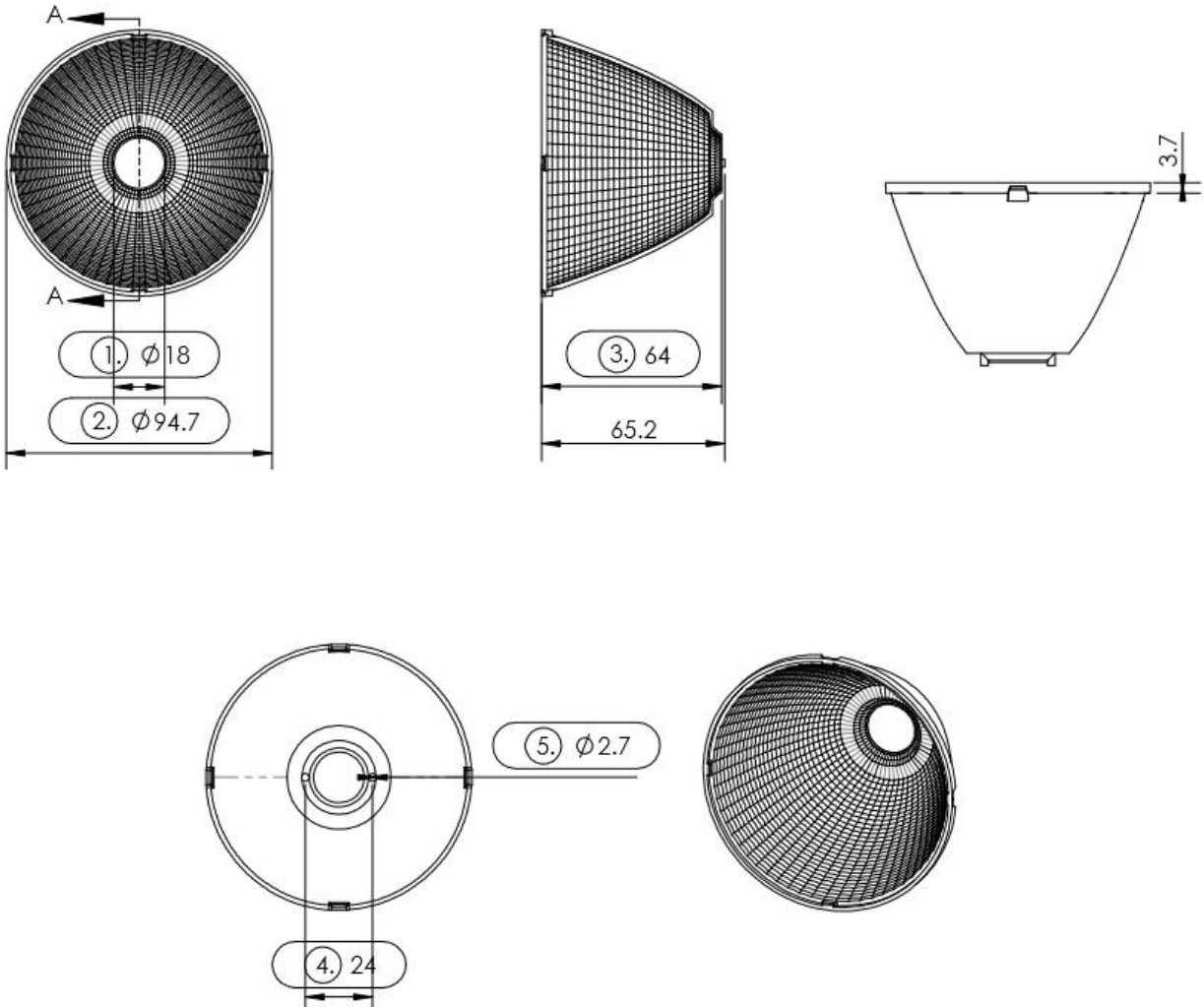
Photo



Dimensional Figure

SL-095A

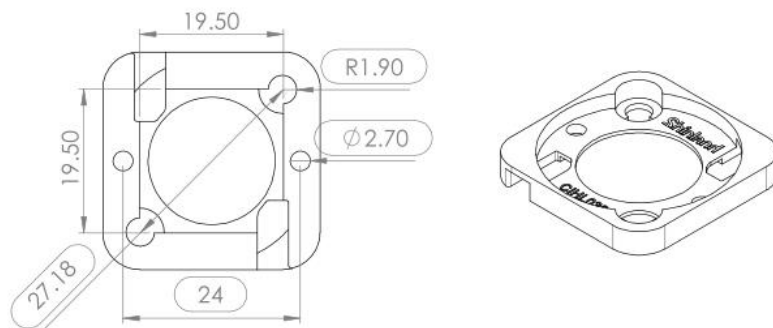
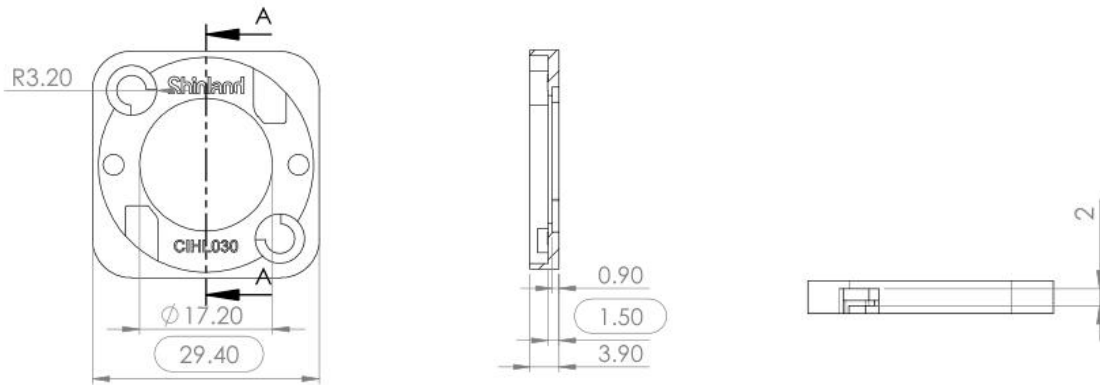
Measure Unit: mm



Dimensional Figure

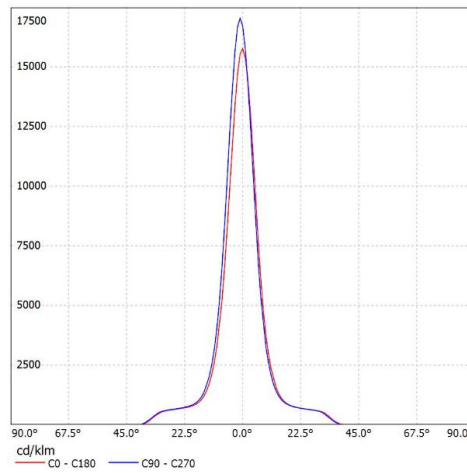
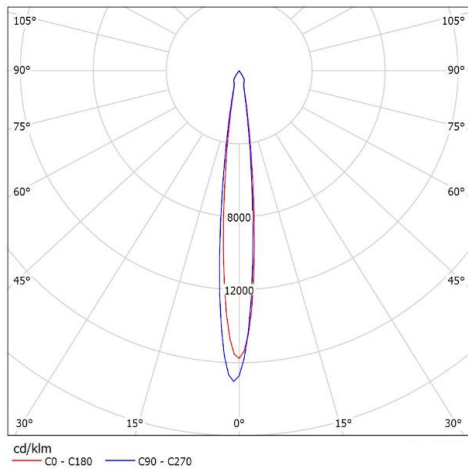
SL-CLL030-HD-A

Measure Unit: mm

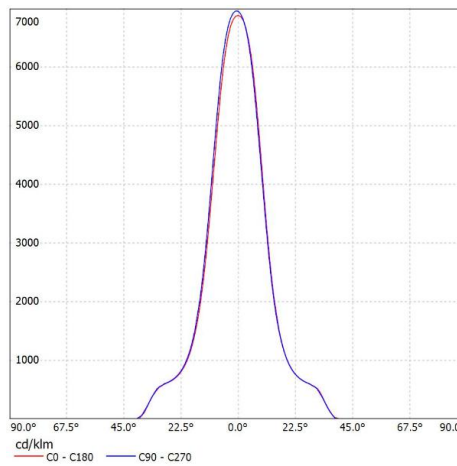
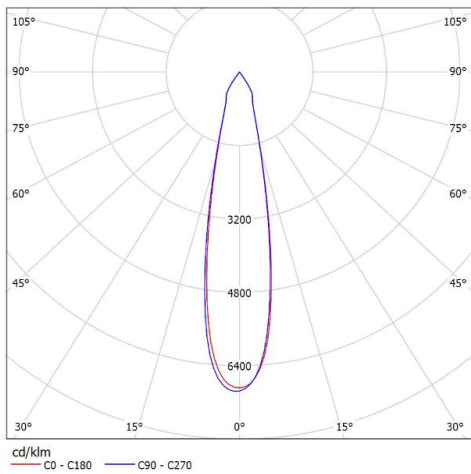


Distribution Curve Flux

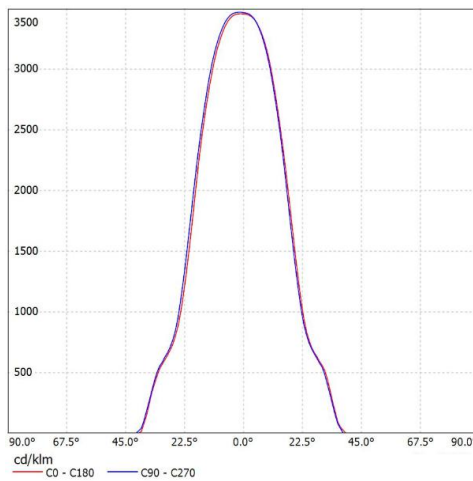
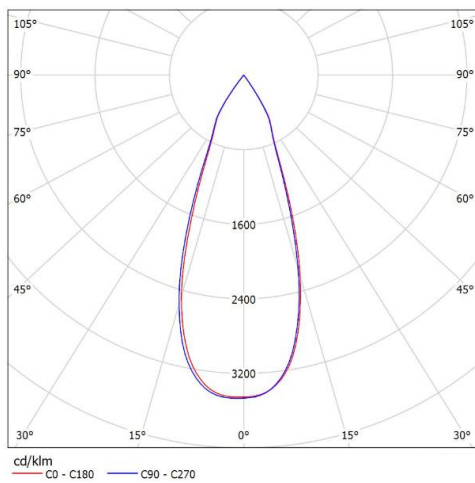
SL-095A&SL-CLL030-HD-A



SL-09512A
K:10.95cd/lm,LED:CLL03X



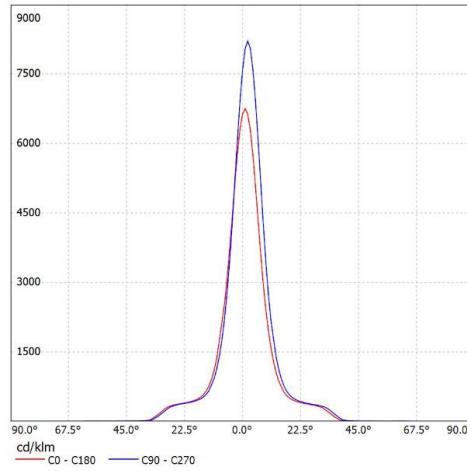
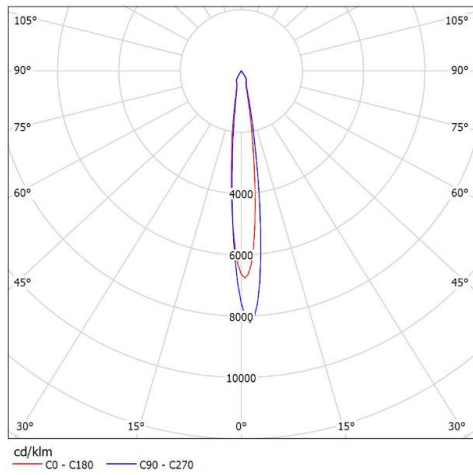
SL-09524A
K:4.49cd/lm,LED:CLL03X



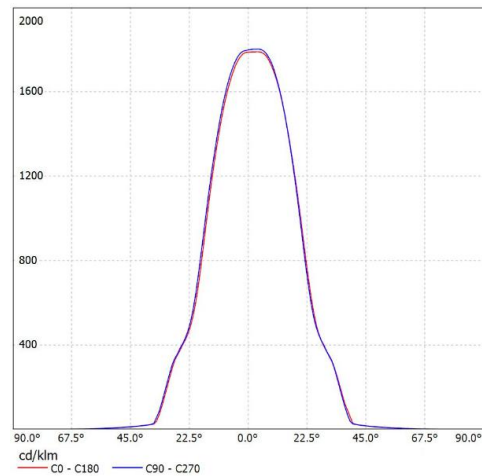
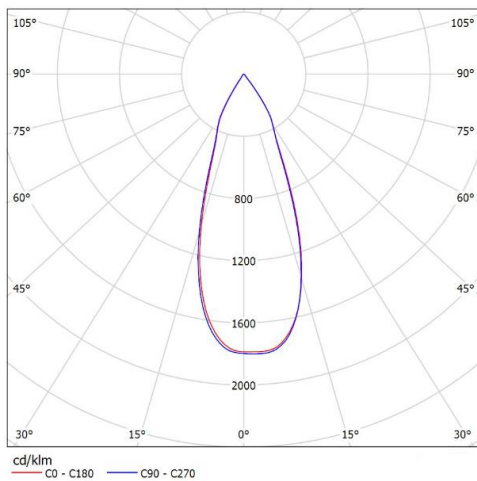
SL-09538A
K:2.24cd/lm,LED:CLL03X

Distribution Curve Flux

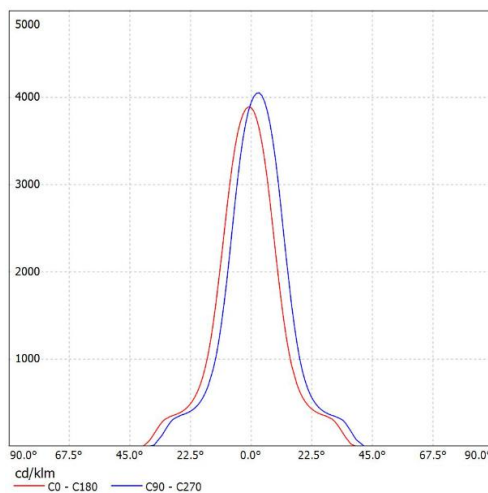
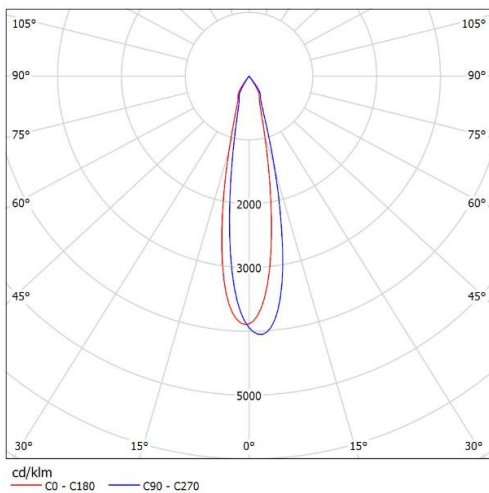
SL-095A&SL-CLL030-HD-A



SL-09512A
K:9.84cd/lm,LED:E13



SL-09524A
K:4.49cd/lm,LED:E13



SL-09538A
K:2.16cd/lm,LED:E13

Package Description

SL-095A

Part NO.	Without pc cover		With pc cover		Box Size(cm)
	Number per Box (pcs)	Box Weigh(kg)	Number per Box (pcs)	Box Weigh(kg)	
SL-09512A	198	7.95	144	8.40	65 X 34 X53
SL-09524A	198	8.05	144	7.88	65 X 34 X53
SL-09538A	198	7.60	144	7.68	65 X 34 X53

Notes

- It is not allowed to scrub the reflective surface. If there is dust on the surface, please clean by soft cotton with little water.
 - It is forbidden to clean with industrial solvent such as ethanol.
 - Storage temperature: 0°C-40°C, and humidity:30%-95%
 - Keep reflectors in package to void the dust.
 - Prohibit the reflector touch with acid or alkaline solvent
-

About Shinland

Shenzhen Shinland Co. Ltd,one of the longest and most professional company in lighting optical field,have 20 years experience.Different from other factory which only have simple process, all aspects included R&D,making mold,injection molding ,vacuum coating and market support are our company own vertically integrated production .

Insisting on 'Quality First, Service First' and pragmatic, enterprising spirit,building the market by quality, casting our brand by credibility and integrity ,Shinland now become the leading supplier of lighting optical solution in China.