

The background is a dark teal color with a pattern of lighter teal diagonal lines and several large, semi-transparent teal circles of varying sizes scattered across the page.

Optics  
**Shinland**

Each Ray is brighter in Shinland

# SL-RF-AF-050B-RW

## Details

Material:	PC
Process:	Vacuum Aluminum Plating
Diameter:	50mm
Heigh:	18mm
Matched Holder:	None
Matched Cover:	None
Matched Reflector:	SL-RF-AG-035A/035B、SL-035A/035B
ROHS Compliant:	YES
Status:	Ready

## Optical Properties

Code	Application	L:H:W
SL-RF-AF-050B-RW	Round Wallwasher	1:6:1.3

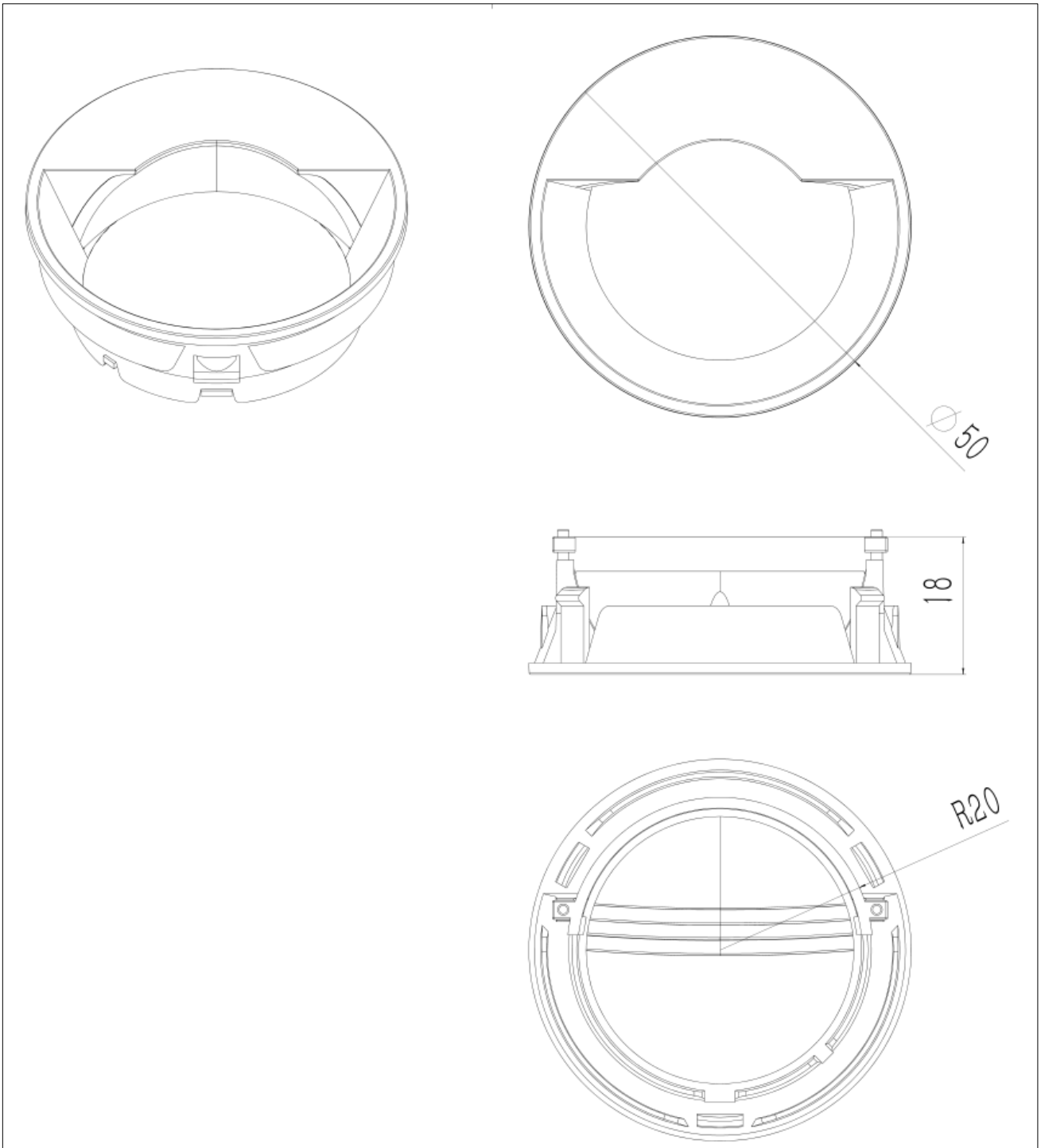
## Photo



# Dimensional Figure

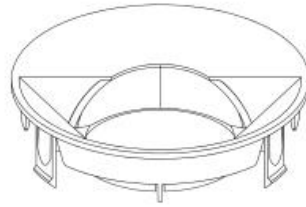
Measure Unit : mm

SL-RF-AF-050B-RW



## Matching Steps

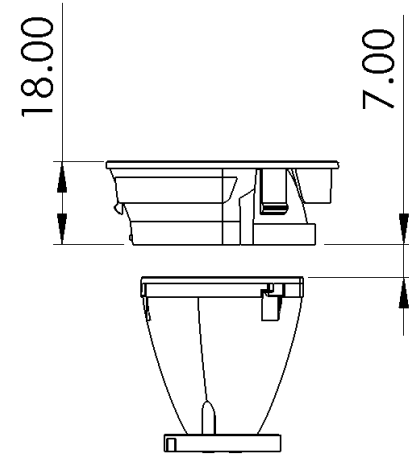
Gap between reflector and anti-glare trim: 7mm



SL-RF-AF-050B-RW

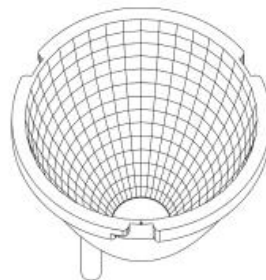


SL-PL-AE-035A



MORE MATCHES:

- SL-RF-AG-035A
- SL-RF-AG-035B
- SL-035A
- SL-035B



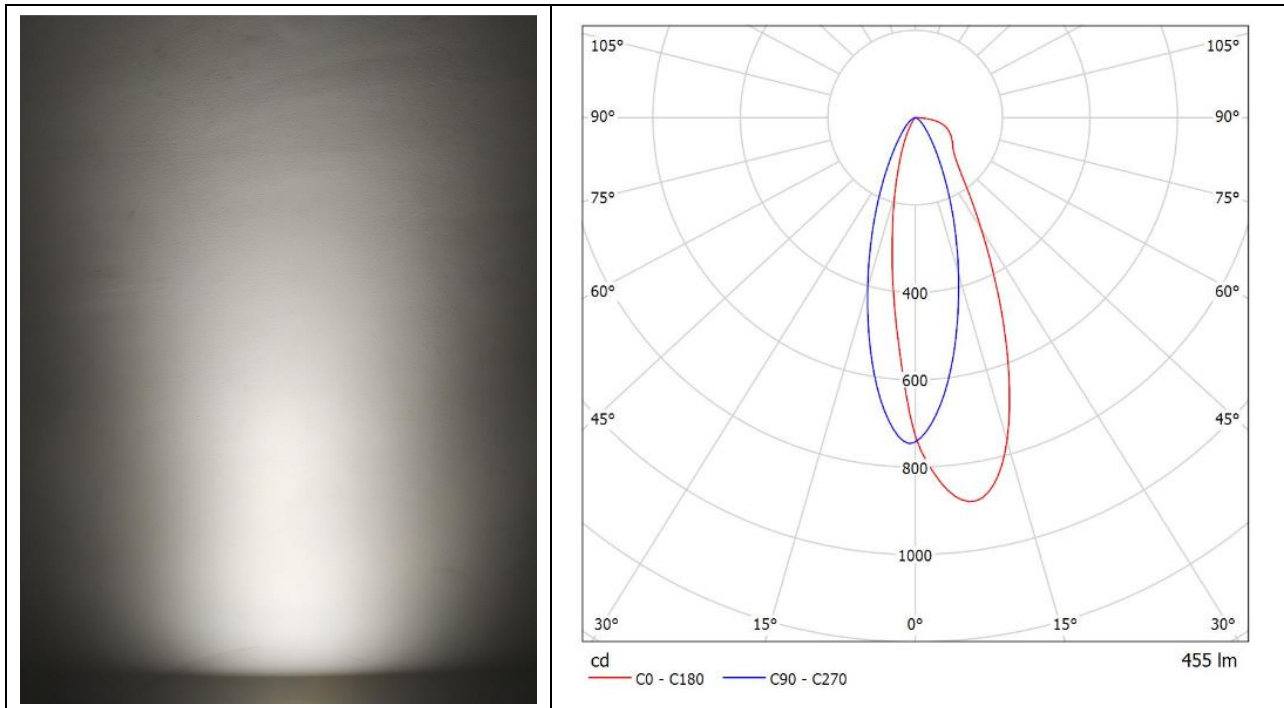
SL-RF-AG-035A

# Distribution Curve Flux

Matched Reflector: SL-RF-AG-035A

Source:CLU 701

SL-RF-AF-050B-RW



## Notes

- It is not allowed to scrub the reflective surface. If there is dust on the surface, please clean by soft cotton with little water.
- It is forbidden to clean with industrial solvent such as ethanol.
- Storage temperature: 0°C-40°C, and humidity:30%-95%.
- Keep reflector in package to void the dust.
- Prohibit the reflector touch with acid or alkaline solvent.

## About Shinland

Shenzhen Shinland Co. Ltd, one of the longest and most professional company in reflector field, have years experience. Different from other factory which only have simple process, all aspects included R&D, making mold, mass production and market support are achieved by our exclusive resources.

Insisting on “Quality First, Service First” and pragmatic, enterprising spirit, building the market by quality, casting our brand by credibility and integrity, Shinland now become the leading supplier of second-optical solution in China.