

The background is a dark teal color with a pattern of lighter teal diagonal lines and several large, semi-transparent teal circles of varying sizes scattered across the page.

Optics
Shinland

Each Ray is brighter in Shinland

SL-RF-AF-090A-RW

Details

Material:	PC
Process:	Vacuum Aluminum Plating
Diameter:	90mm
Heigh:	23mm
Matched Holder:	None
Matched Cover:	None
Matched Reflector:	SL-RF-AG-045A/045B、SL-045A/045B
ROHS Compliant:	YES
Status:	Ready

Optical Properties

Code	Application	L:H:W
SL-RF-AF-090A-RW	Round Wallwasher	1:5:1

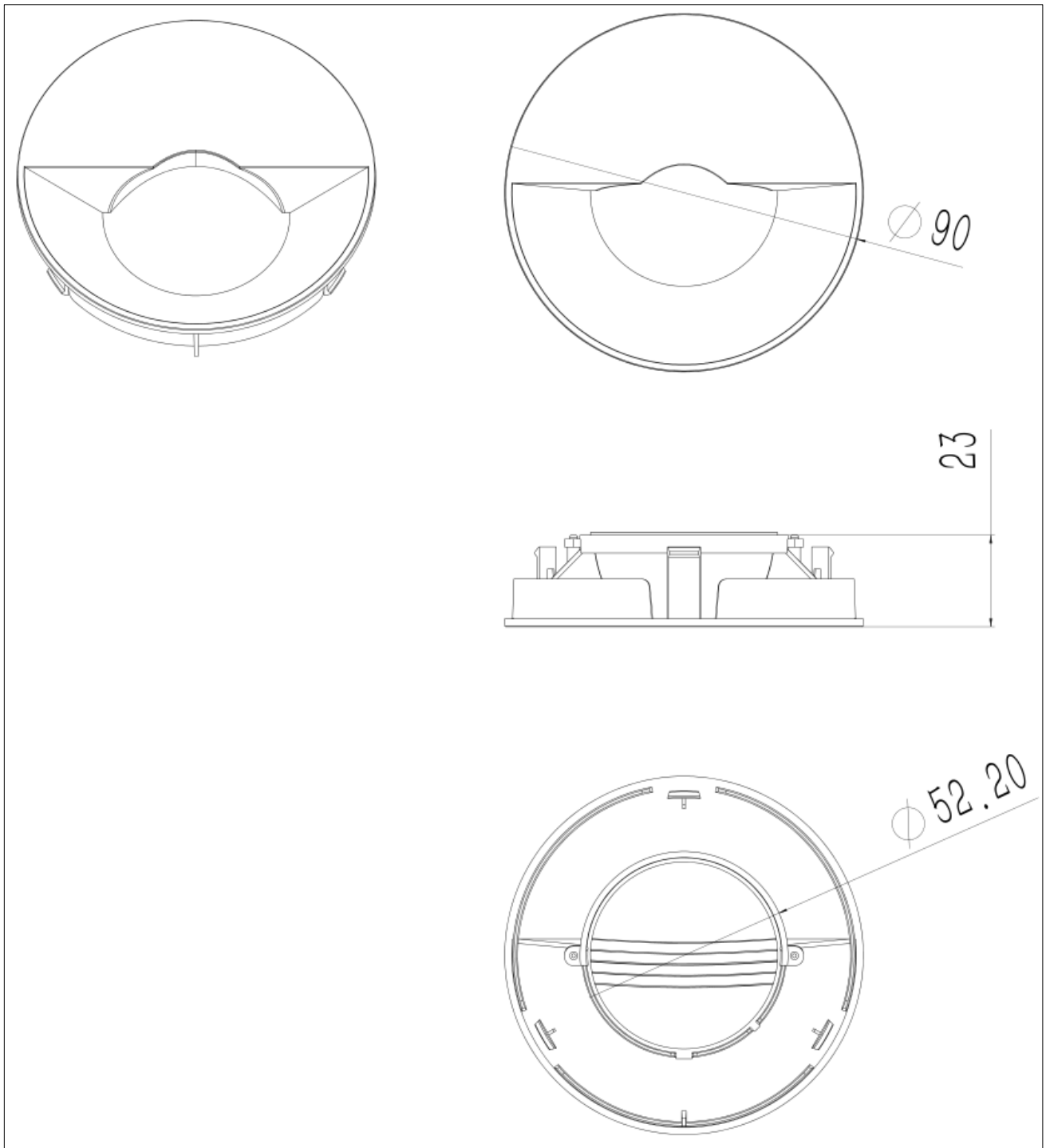
Photo



Dimensional Figure

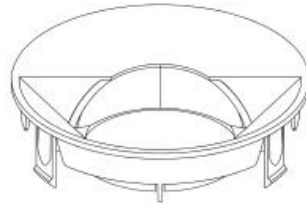
Measure Unit : mm

SL-RF-AF-090A-RW



Matching Steps

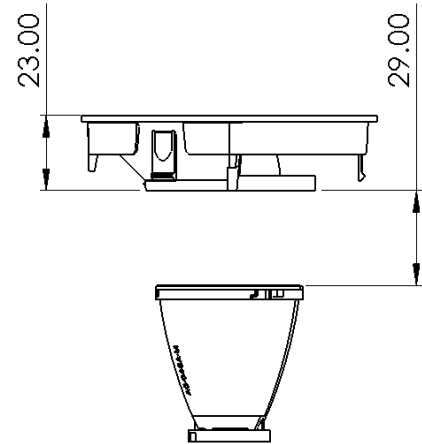
Gap between reflector and anti-glare trim: 29mm



SL-RF-AF-090A-RW



SL-PL-AE-045A



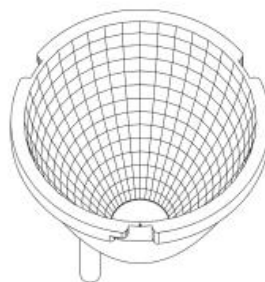
MORE MATCHES:

SL-RF-AG-045A

SL-RF-AG-045B

SL-045A

SL-045B



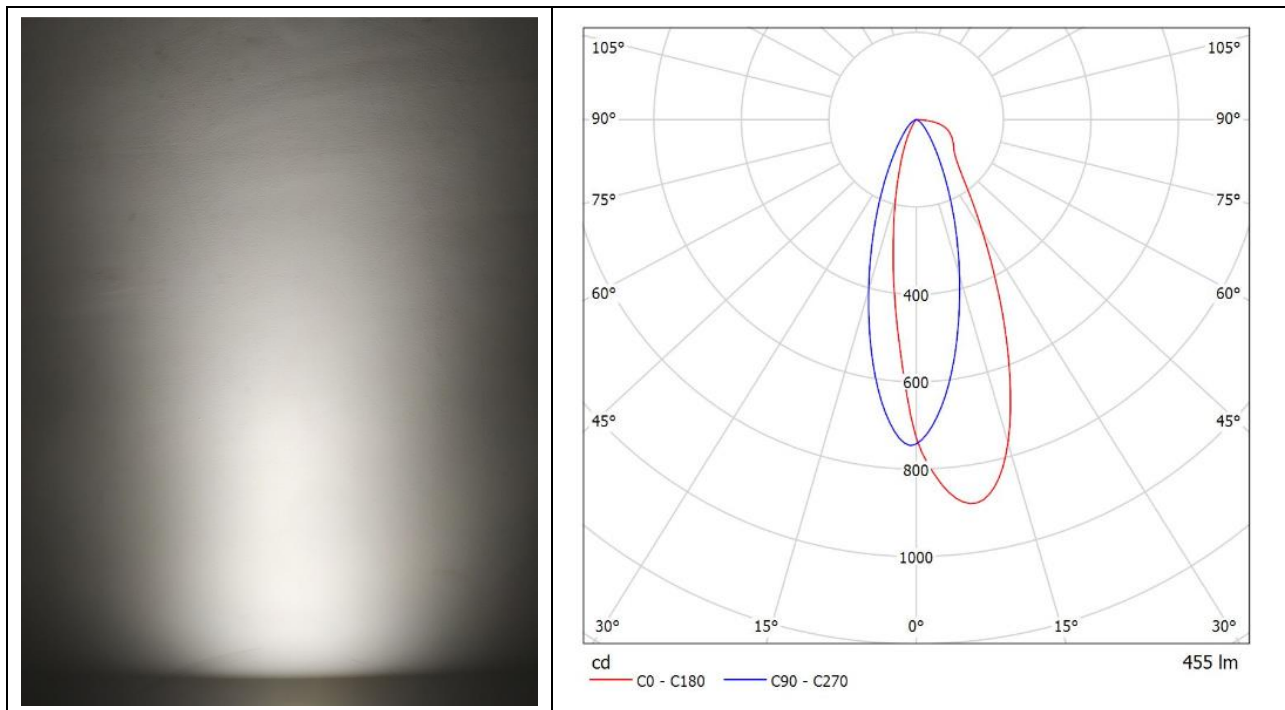
SL-RF-AG-045A

Distribution Curve Flux

Matched Reflector: SL-RF-AG-045A

Source:CMA 1516

SL-RF-AF-090A-RW



Notes

- It is not allowed to scrub the reflective surface. If there is dust on the surface, please clean by soft cotton with little water.
- It is forbidden to clean with industrial solvent such as ethanol.
- Storage temperature: 0°C-40°C, and humidity:30%-95%.
- Keep reflector in package to void the dust.
- Prohibit the reflector touch with acid or alkaline solvent.

About Shinland

Shenzhen Shinland Co. Ltd, one of the longest and most professional company in reflector field, have years experience. Different from other factory which only have simple process, all aspects included R&D, making mold, mass production and market support are achieved by our exclusive resources.

Insisting on “Quality First, Service First” and pragmatic, enterprising spirit, building the market by quality, casting our brand by credibility and integrity, Shinland now become the leading supplier of second-optical solution in China.